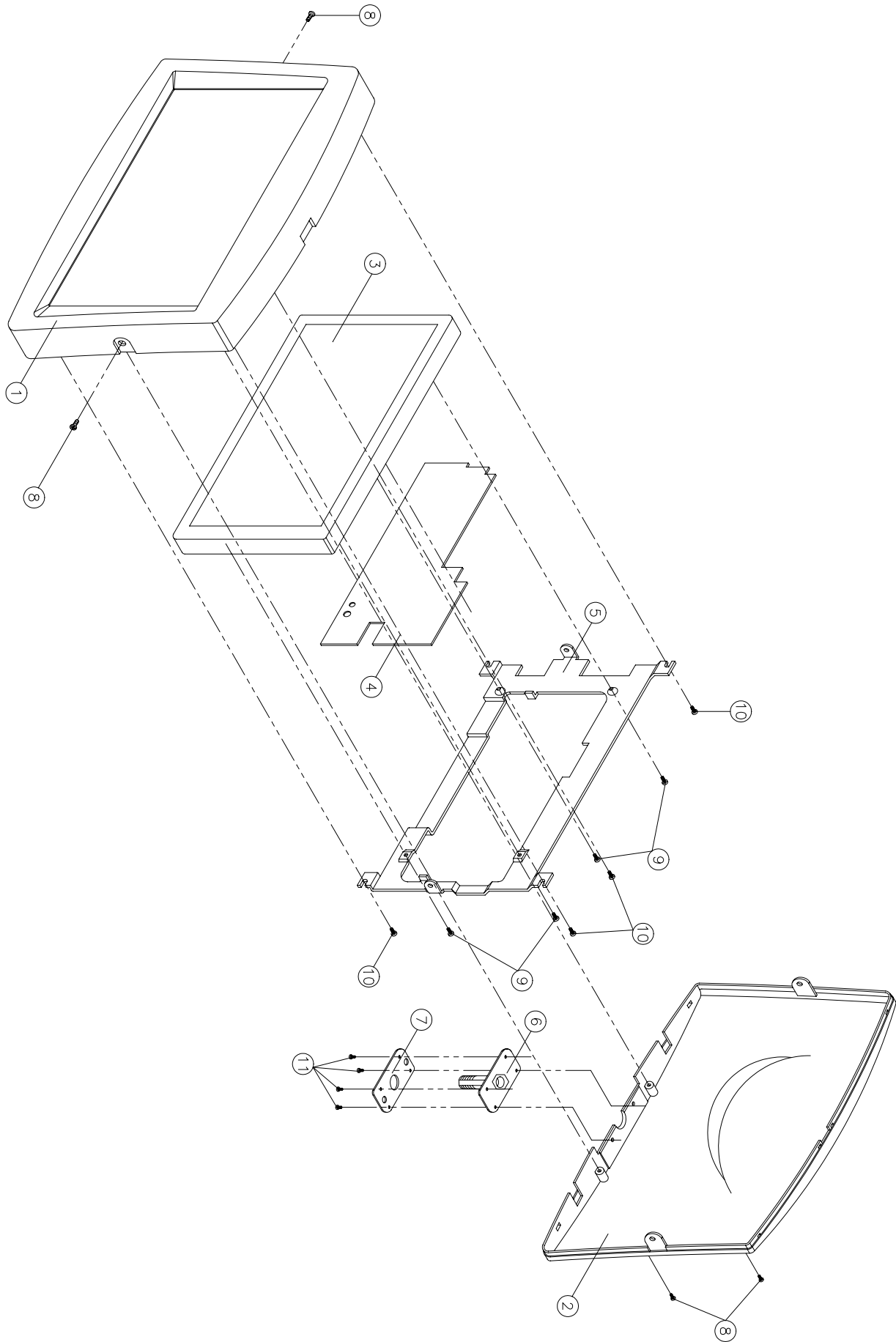


EXPLODED VIEW

DISPLAY

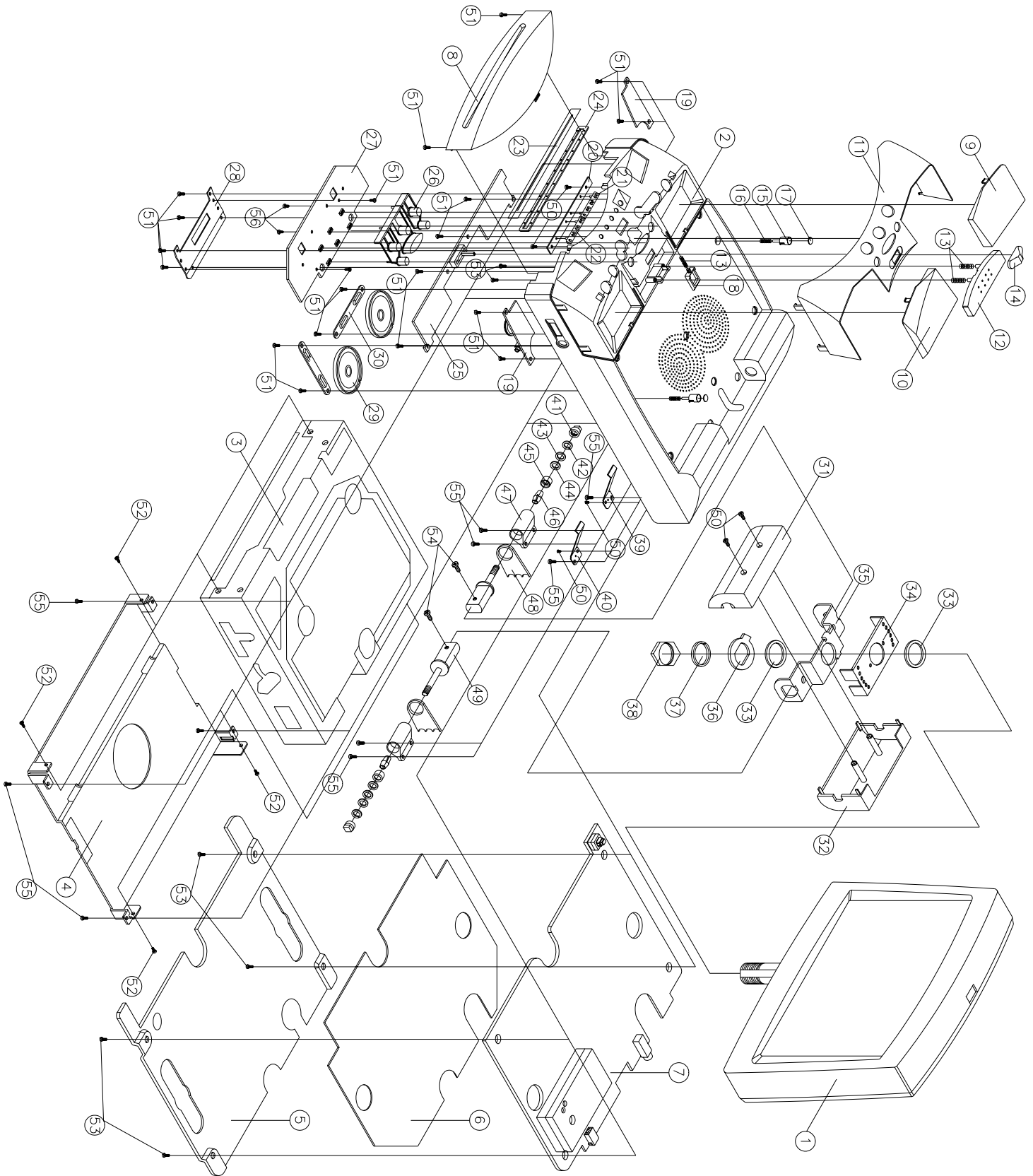


EXPLODED VIEW PARTS LIST

DISPLAY

Ref. No.	Description	RS Part No.	Mfr's Part No.
1	Monitor T-Panel (S. OPC0000) W/O Brand		51-T4321-31
2	Monitor Bottom Panel (S. OPC0000) W/O Brand		51-T4323-30
3	TFT LCD PW40DS1 PVI		27-01850-00
4	Display Board		11-00701-00
5	7" TFT Bracket		39-T4309-00
6	Steel Plat		39-T4318-00
7	Steel Flat 1		39-T4303-00
8	Screw Ø2 X 4 CH/MS Black		40-12004-09H
9	Screw Ø2.6 X 4 KH/MS		40-02604-02
10	Screw Ø2.6 X 4 PH/ST		40-02604-05
11	Screw Ø2.6 X 6 KH/MS		40-02606-02

EXPLODED VIEW (UNIT)



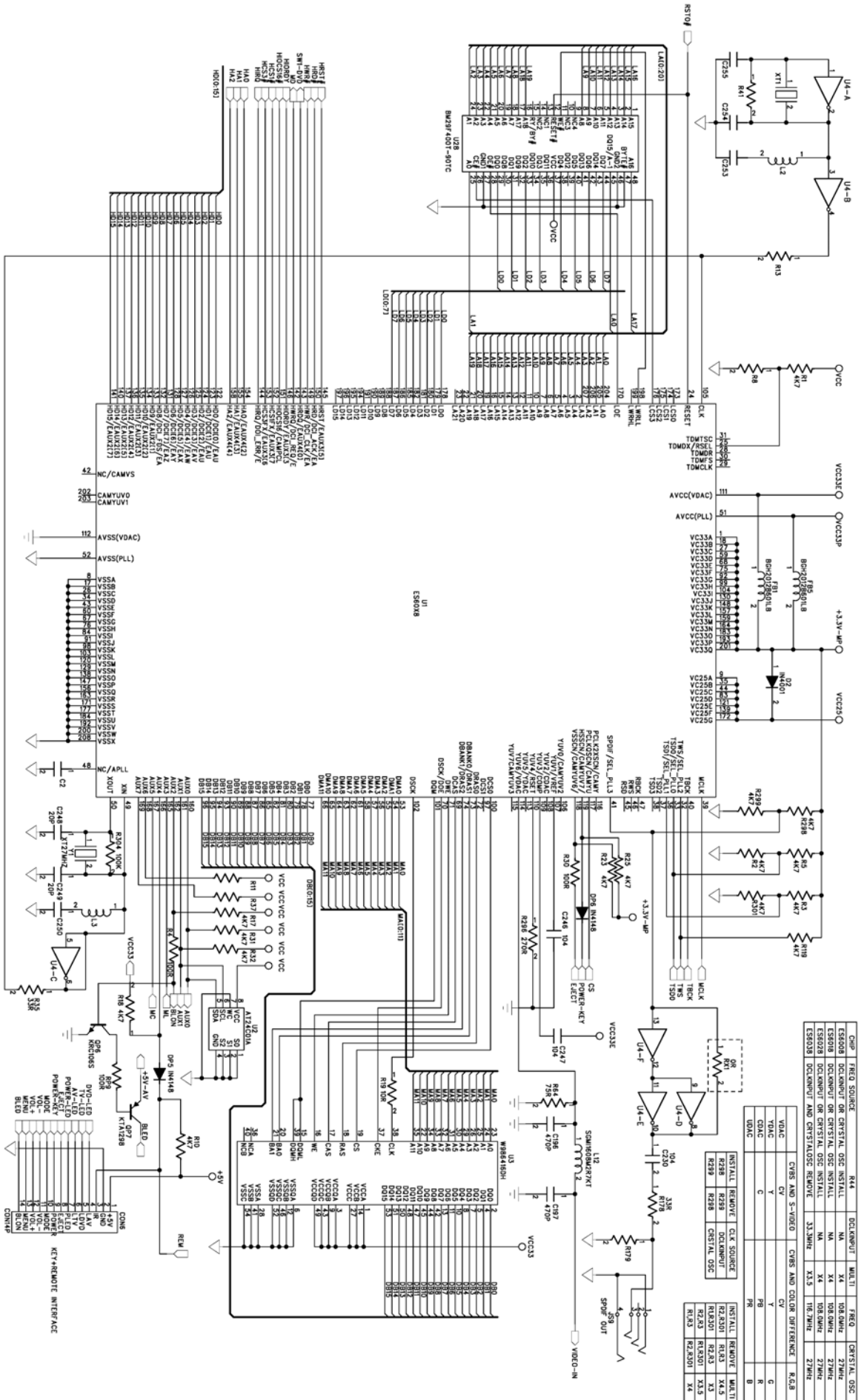
EXPLODED VIEW PARTS LIST

UNIT

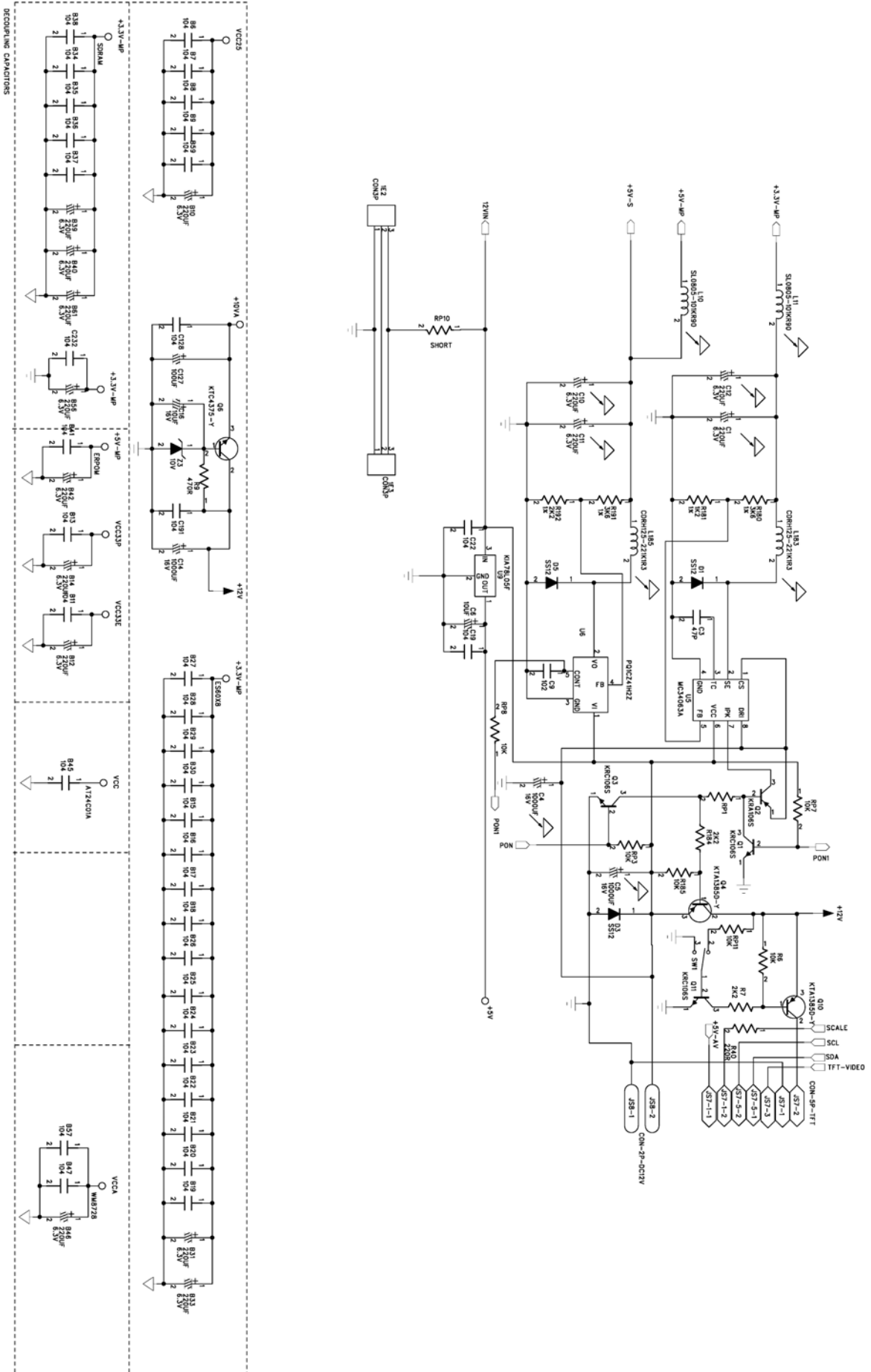
Ref. No.	Description	RS Part No.	Mfr's Part No.
1	Display		
2	Base (S. OPC0000)		51-T4320-31
3	DVD MECH THIN SLOT Type (HPD-40)		94-17810-00
4	DVD Bracket		61-T4301-00
5	Mounting Cover		61-T4302-00
6	Mounting Cover Fiber		35-T4302-00
7	Main Board		11-01343-017
8	Lens IR (S. PMS433C)		53-T4342-01Y
9	Roof-Lamp Lens -Left		53-T4340-00
10	Roof-Lamp Lens -Right		53-T4341-00
11	Key Cover2 (S. OPC0000)		52-T4338-31
12	Push Button 2 (S. OPC0000)		52-T4337-30
13	Contact Spring		36-78008-00
14	Speaker Switch Knob (S. OPC0000)		52-T4330-30
15	Release Knob (S. OPC0000)		52-T4328-30
16	Ø0.4 Spring (EJ Panel)		36-A8505-00
17	Rubber 1		81-A8502-01
18	Push Slide Hook (S. OPC0000)		52-T4327-30
19	Earphone Board		11-01343-427
20	Lamp Board		11-01343-447
21	Knob Bracket 1		52-T4349-00
22	Knob Bracket 2		52-T4350-00
23	CD Door Sheet		81-T4305-00
24	CD Windows Sheet		43-T4305-00
25	IR Board		11-01343-517
26	PWR/MOD/MENU (S. OPC0000) (L-Up)		52-T4345-01
27	Key Board		11-01343-327
28	Knob PCB Bracket		39-T4305-00
29	Speaker 8ohm Ø=40 THK=5 AV40-12		14-00040-01
30	Speaker Press Plate		39-13205-00
31	Hinge-Cover Top (S. OPC0000)		52-T4324-30
32	Hinge-Cover Bottom (S. OPC0000)		52-T4325-30
33	PC Plate 1.5THK		35-T4305-00
34	Spring Tagger		39-T4302-00
35	Support Bracket		39-T4301-00
36	Plate 1.5THK		35-T4303-00
37	Monitor Spring Washer		35-30010-01
38	Hexagon Nut M10X0.75		35-40010-10
39	V-Tagger L1		39-T4313-00
40	V-Tagger R1		39-T4314-00

Ref. No.	Description	RS Part No.	Mfr's Part No.
41	Shaft Mounting Screw		34-09005-00
42	M4 Spring Washer		35-40001-00
43	Plain Washer Ø4.1X Ø7.8X1.0MM		35-09008-00
44	Washer Ø4.1XØ7.8X0.8 MM (Plastic)		35-09007-00
45	Bushing/Brass		34-09017-00
46	Spindle Collets		52-T4331-00
47	Spindle Housing		52-T4332-00
48	Rotary Tagger 1		39-T4312-00
49	Tubular Screw		34-T4303-00
50	Screw Ø1.7 X 6.0 CA/ST		40-01706-10
51	Screw Ø2.0 X 6 PA/ST Black		40-02006-11
52	Screw Ø2.6 X 4 KH/MS		40-02604-02
53	Screw Ø2.6 X 8 BT/ST Black		40-02608-21
54	Screw Ø2.6 X 10 PH/MS		40-02610-00
55	Screw Ø3 X 8 BH/ST		40-03008-02
56	Screw Ø2 X 4 CH/MS Black		40-12004-09H

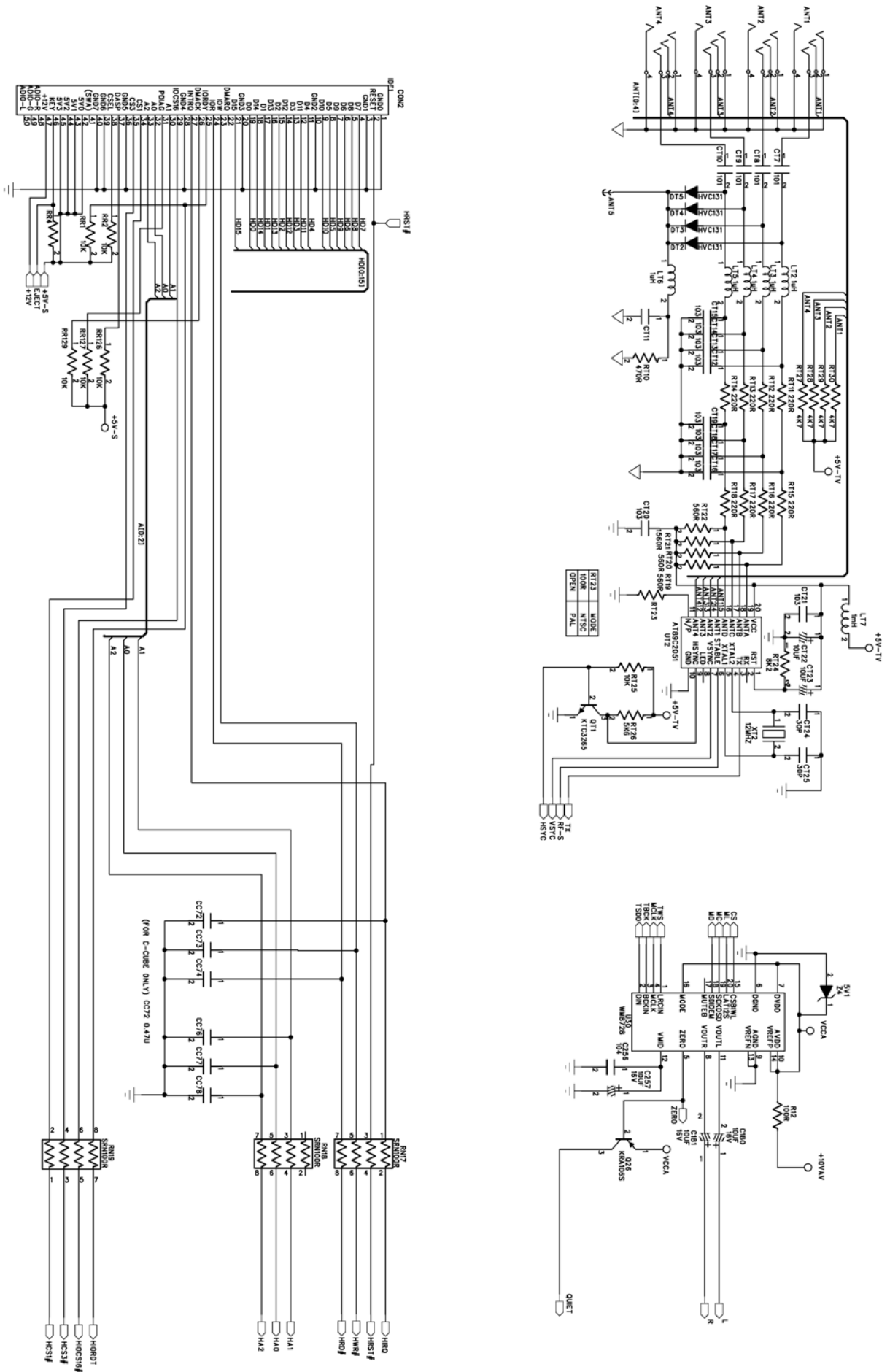
SCHEMATIC DIAGRAM (MPEG)



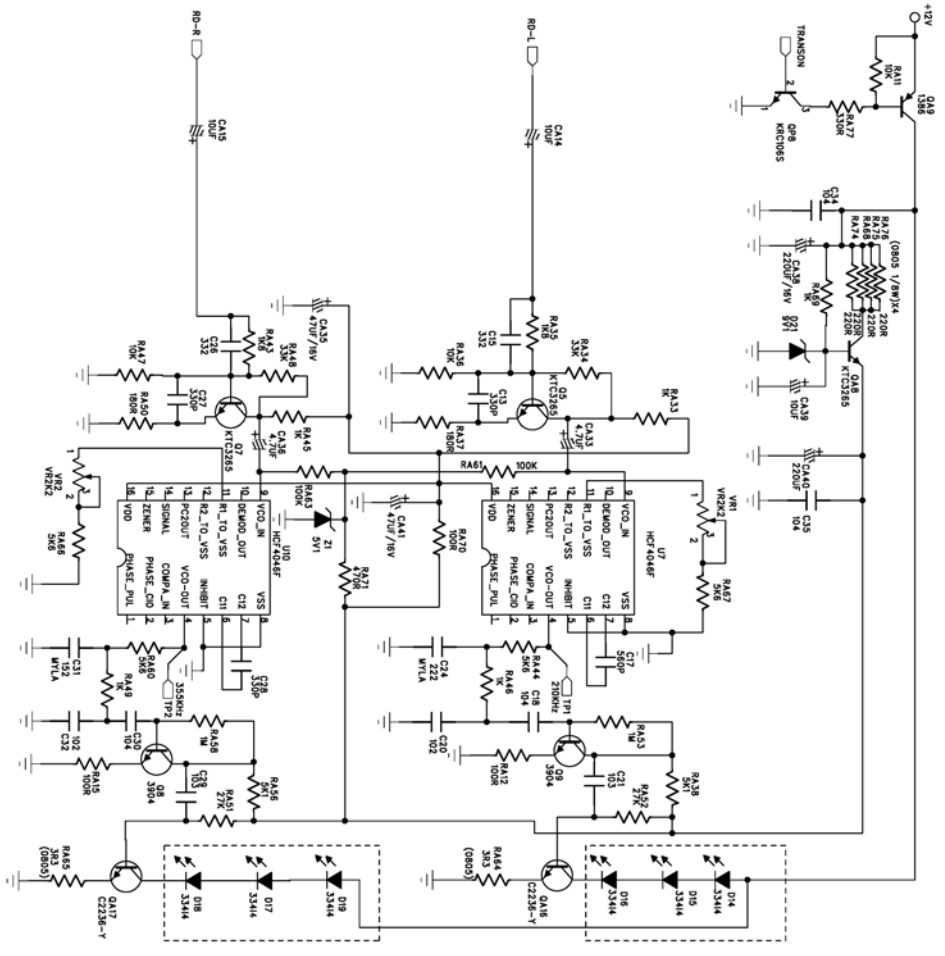
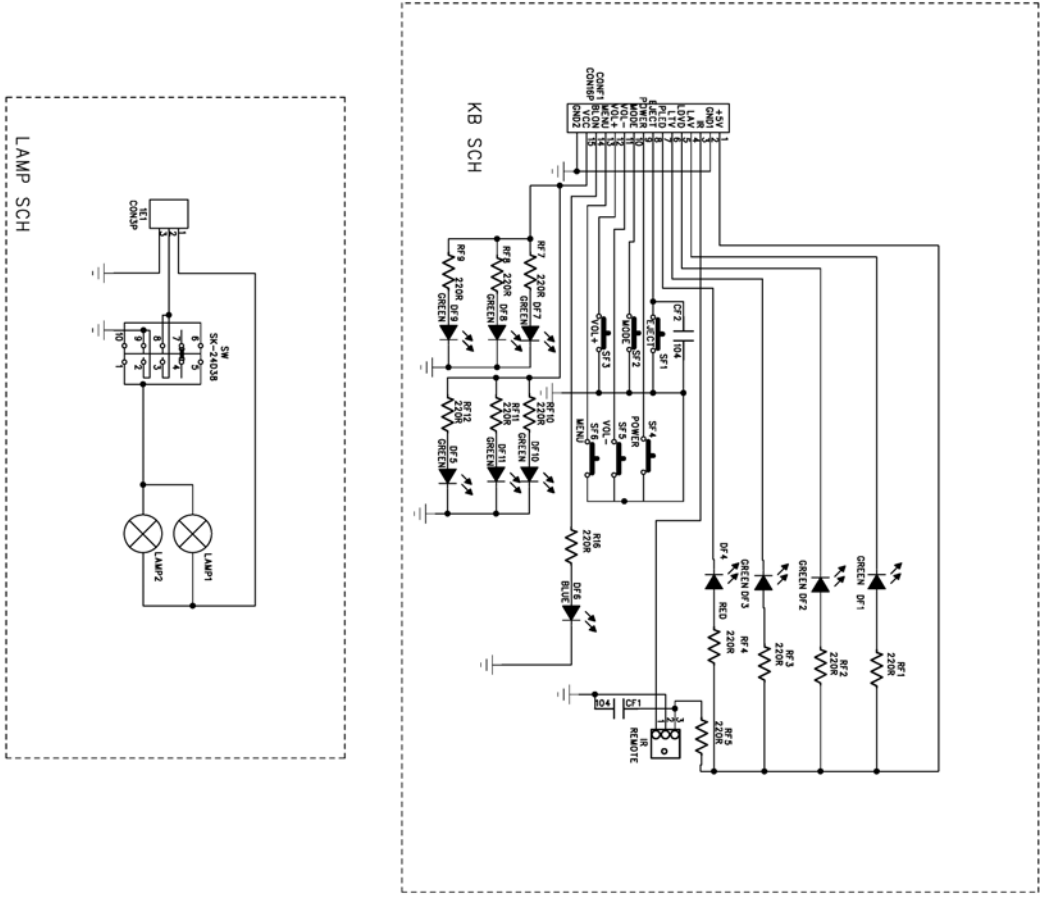
SCHEMATIC DIAGRAM (POWER)



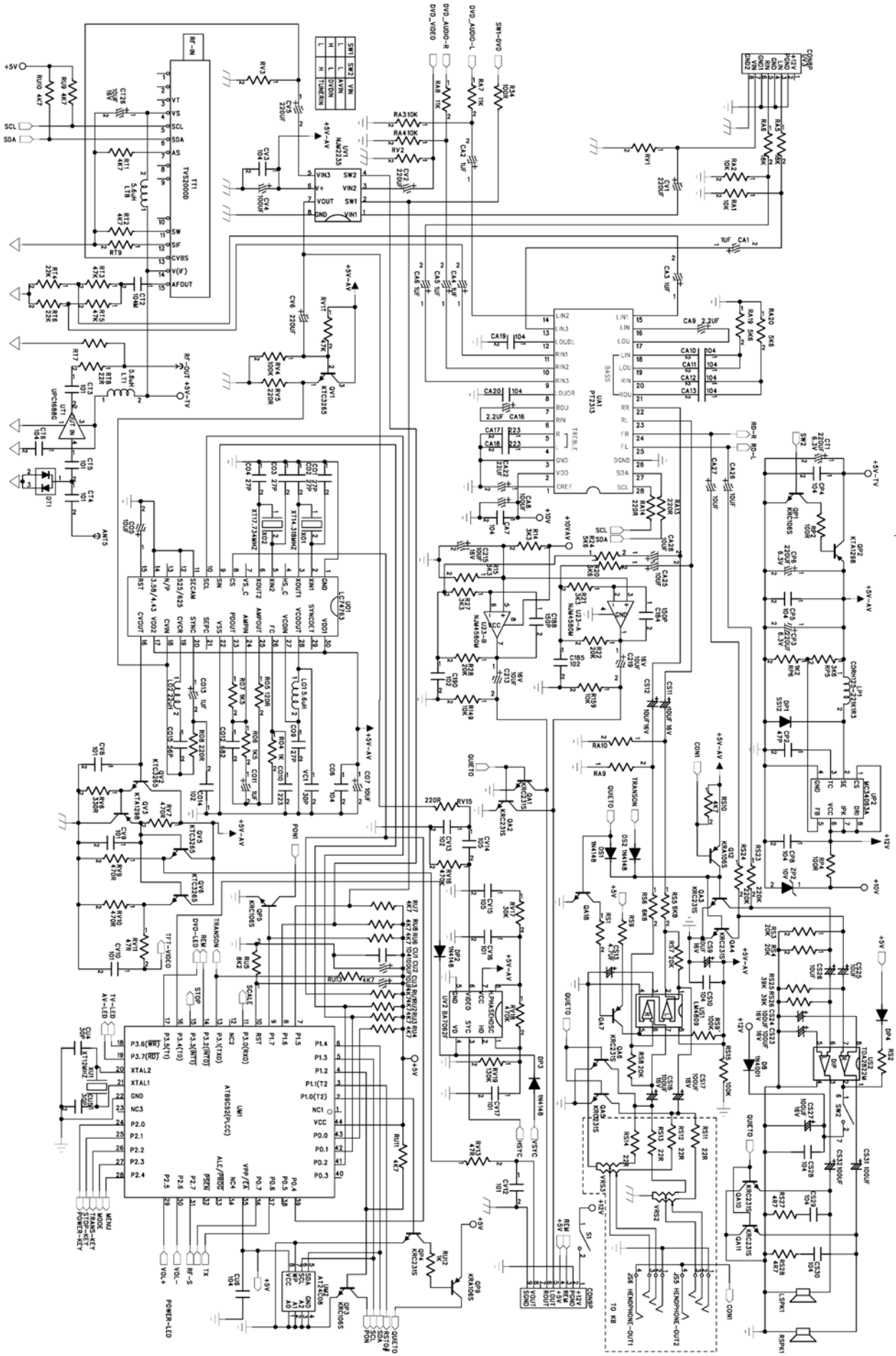
SCHEMATIC DIAGRAM (IN/OUT)



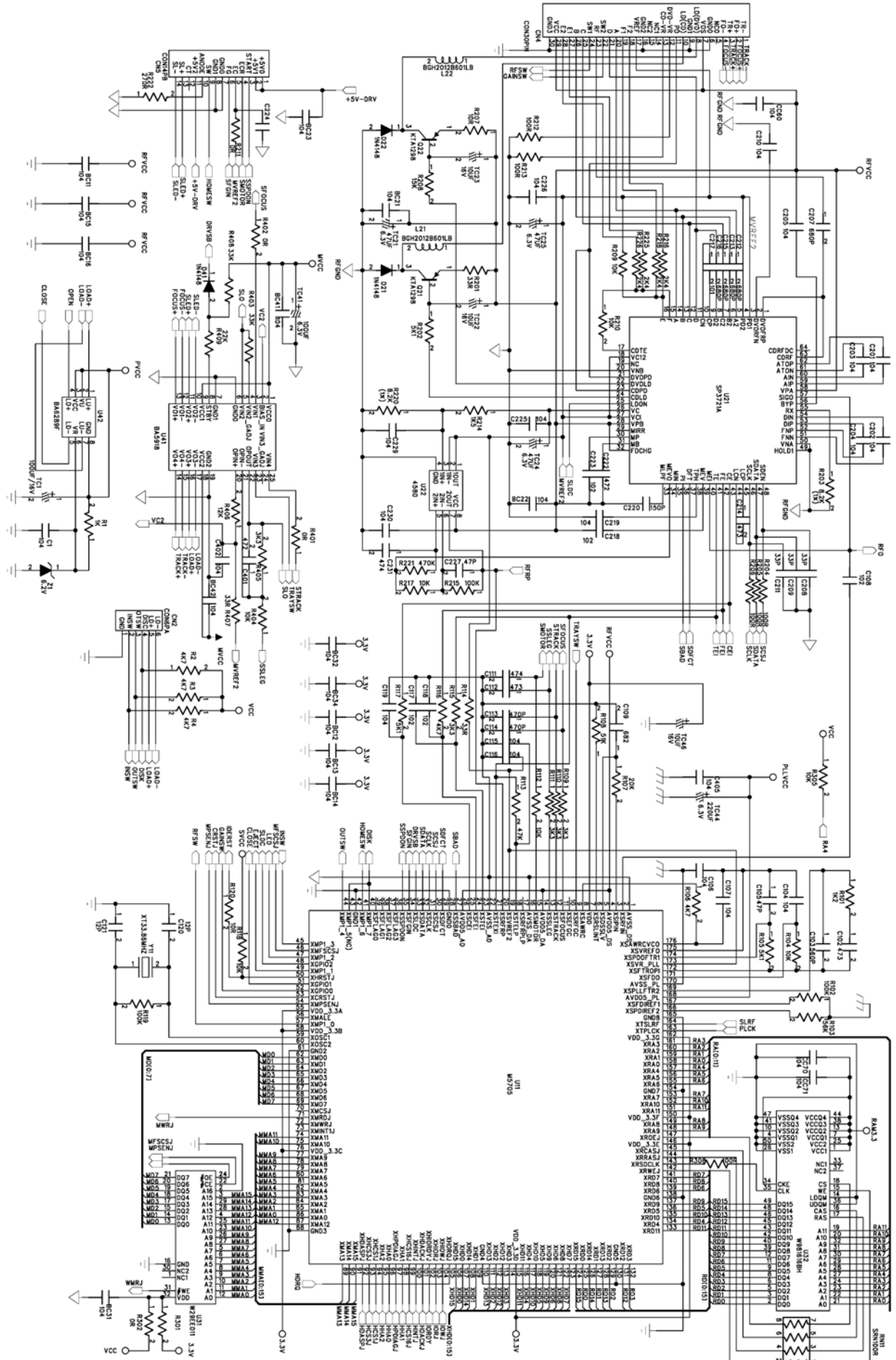
SCHEMATIC DIAGRAM (KEY)



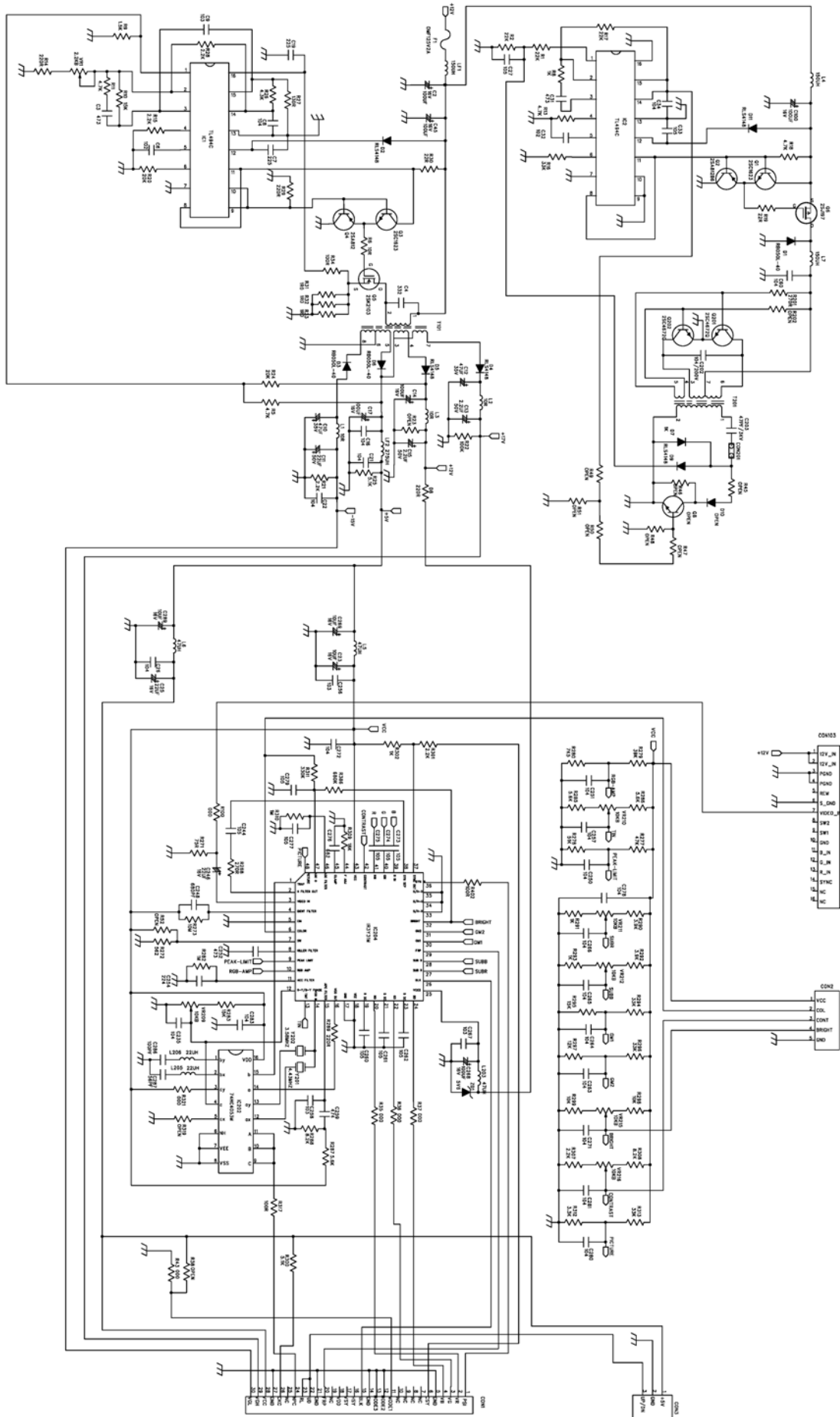
SCHEMATIC DIAGRAM (TV)



SCHEMATIC DIAGRAM (SERVO BOARD)



SCHEMATIC DIAGRAM (DISPLAY BOARD)



ELECTRICAL PARTS LIST

Ref. No.	Parts No.	Description	Q'ty
PC BOARD ASSY, MAIN BOARD			
Q2,12,26,QP9	01-00106-00	KRA106S (SOT-23)	4
Q1,3,11,QP3,5,11	01-00106-10	KRC106S (SOT-23)	6
QP4,6,QA1~6,18	01-00231-00	KRC231S (SOT-23)	10
QP2,7	01-01298-00	KTA1298 (SOT-23)	3
Q4,10	01-01385-00	KTA1385D-Y (DPAK)	2
QV1,2,5,6,QT1	01-03265-00	KTC3265-Y (SOT-23)	5
Q6	01-04375-00	TR. KTC4375-Y (SOT-23)	1
DT2~5	02-00131-00	DIODE HVC4375-Y (SOT-89)	4
D2,8,DP4	02-04001-00	DIODE IN-4001 (SOD-106)	3
DP2,3,5,6	02-04148-02	DIO CHIP RLS4148 1206 ROHM	4
D1,3,5,DP1	02-05819-02	CHIP IN5819 (SOD-106)	4
Z4	02-50051-03	CHIP ZENER DIODE 5.1V (LL-34)	1
Z3,ZP2	02-50100-02	CHIP ZENER DIODE 10V (LL-34)	2
U6	03-00141-00	IC PQICZ41H SMD SHARP	1
UT1	03-01688-00	IC CHIP UPC1688G NEC	1
UV1	03-02235-00	IC CHIP NJM2235M JRC	1
UA1	03-02313-00	I.C. PT2313L	1
U4	03-02401-00	EEPROM (FLAT PACK) 24C01	1
UM2	03-02408-00	IC AT24C08 DIP8 ATMEL	1
US2	03-02822-13	I.C. TDA2822M	1
U12	03-04580-00	IC NJM4580M (SOP-8PIN)	1
US1	03-04809-00	IC LM4809MM (SO) NATIONAL	1
U1	03-06008-00	ES6008 (PQFP-208PIN)	1
U2	03-06416-00	W986416DH-6 (TSOP II-54PIN)	1
UV2	03-07062-00	IC CHIP BA7062F ROHM	1
U9	03-07805-01	REGULATOR 7805 (NJM78L05UA-TEI)	1
U30	03-08728-00	WM8728 (SSOP-20PIN)	1
UM1	03-08952-22	CPU AT89C52 PLCC DVD1343 (PAL B/G)	1
U3	03-29800-04	AM29LV800BT-90 (STOP-48)	1
U5	03-34063-00	IC MC34063AP1 DIP8 MOTOROLA	1
UP2	03-36063-01	MC34063A (SOP-8PIN)	1
U01	03-74763-00	IC LC74763 SANYO	1
UT2	03-89205-01	CPUAT89C2051 SOIC (TV-187 DIVERSITY)	1
XU1,XT1	04-00120-01	CRYSTAL HC-49/US 12MHZ	2
Y1	04-00270-00	CRYSTAL 27M (HC-49/US)	1
X01	04-14318-00	CRYSTAL 14.318MHZ 50PPM HC-49U/SM	1
X02	04-17734-00	CRYSTAL 17.734MHZ 50PPM HC-49U/S	1
CV14/5	05-03105-10M	CHIP CAP KC20E1C105M-TS	2
CV8~10/2/6/7,CT3,4,7~10	05-63101-00	CHIP 100PF \pm 5% NPO 0603 SMT	12
C014,180,190,CV13	05-63102-00	CHIP 1000PF \pm 5% NPO 0603 SMT	4
CT11~20	05-63103-01	CHIP 0.01 μ F \pm 10% X7R 0603 SMT	10

ELECTRICAL PARTS LIST - CONTINUED

Ref. No.	Parts No.	Description	Q'ty
C06,22,128,191,230,246/7,256,CA10~3/9,20,B6~9,11/3/5/7/8,21~30/4~8,41/9,57/9	05-63104-02	CHIP CAP 0.1μF ±20% Y5V 0603 SMT	56
C184/8	05-63151-00	CHIP 150PF ±5% NPO 0603 SMT	2
C248/9	05-63200-00	CHIP CAP 20PF ±5% NPO 0603 SMT	2
C010,CA17/8	05-63223-01	CHIP 0.022μF ±10% X7R 0603 SMT	3
C01,2,3,4,9	05-63270-00	CHIP CAP 27PF ±5% NPO 0603 SMT	5
CV1,4,5,CT24/5	05-63300-00	CHIP CAP 30PF ±5% NPO 0603 SMT	5
C9,3CP2	05-63470-00	CHIP CAP 47PF ±5% NPO 0603 SMT	3
C196/7	05-63471-00	CHIP CAP 470PF ±5% NPO 0603 SMT	2
C015	05-63560-00	CHIP CAP 56PF ±5% NPO 0603 SMT	1
C012	05-63682-01	CHIP 6800PF ±10% X7R 0603 SMT	1
CP3	05-10108-01	E. CAP 1000μF 10V (Ø8X14MM)	1
C07,16,180/1,213/5/9,252,505,CA25~8,CS2,6,11/2,25,CV3,7,CT22/3	06-16106-02	E. CAP 10μF 16V (Ø3.5X5MM)	21
CU2,C59,127,523/7,CV1,CA8,524,S17/8,31/2	06-16107-04	E. CAP 100μF 16V (Ø6X5MM)	12
C4,5,14	06-16108-00	E. CAP 1000μF 16V (Ø10X15MM)	3
CA22	06-16226-02	E. CAP 22μF 16V (Ø5X5MM)	1
CS13	06-16475-03	E. CAP 4.7μF 16V (Ø3X5MM)	1
CS31/2	06-16476-03	E. CAP 47μF 16V (6X5)	2
C011/3,CA1~6	06-50105-02	E. CAP 1μF 50V (Ø3X5MM)	8
CA9,16	06-50225-02	E. CAP 2.2μF 50V (4X5)	2
C1,10~2,126,B10/2/4,31/3/9,40/2,56CV1,5,6,CT1	06-63227-01	E. CAP 220μF 6.3V (Ø6X5MM)	21
R55,RX1,RA13/4	07-63000-00	CHIP RES. 0Ω 0603 SMT	4
RS27/8	07-63047-00	CHIP RES. 4.7Ω ±5% 0603 SMT	2
R19	07-63100-00	CHIP RES. 10Ω ±5% 0603 SMT	1
R30/4,PR2,4,9,P4,12,PT23	07-63101-00	CHIP RES. 100Ω ±5% 0603 SMT	8
RN18/9	07-63101-04	CHIP CN34JT 100Ω (0603X4 SMT)	2
RS1,4,9,RU12	07-63102-00	CHIP RES. 1kΩ ±5% 0603 SMT	4
RA1,2,R6,149,159,185,RR1,2,126/7/9,RT28,RP3,7,8,11	07-63103-00	CHIP RES. 10kΩ ±5% 0603 SMT	16
RV4,R304,RS15	07-63104-00	CHIP RES. 100kΩ ±5% 0603 SMT	3
RA7,8	07-63113-00	CHIP RES. 11kΩ ±5% 0603 SMT	2
R05	07-63121-00	CHIP RES. 120Ω ±5% 0603 SMT	1
R192,RP6	07-63122-00	CHIP RES. 1.2kΩ ±5% 0603 SMT	2
RV19	07-63134-00	CHIP RES. 130kΩ ±5% 0603 SMT	1
R06,7,RS2	07-63152-00	CHIP RES. 1.5kΩ ±5% 0603 SMT	3
RS3,4,7,8,22/8,RA3,4	07-63203-00	CHIP RES. 20kΩ ±5% 0603 SMT	8

ELECTRICAL PARTS LIST - CONTINUED

Ref. No.	Parts No.	Description	Q'ty
RT8,RS11~14	07-63220-00	CHIP RES. 22Ω ±5% 0603 SMT	5
R40,192,RV5,12/5,RT11~8	07-63221-00	CHIP RES. 220Ω ±5% 0603 SMT	12
R7,181/4	07-63222-00	CHIP RES. 2.2kΩ ±5% 0603 SMT	3
RT4,6	07-63223-00	CHIP RES. 22kΩ ±5% 0603 SMT	2
RS23/4	07-63224-00	CHIP RES. 220kΩ ±5% 0603 SMT	2
R296	07-63271-00	CHIP RES. 270Ω ±5% 0603 SMT	1
RA5,6RV17	07-63303-00	CHIP RES. 30kΩ ±5% 0603 SMT	3
R35,178	07-63330-00	CHIP RES. 33Ω ±5% 0603 SMT	2
RV6	07-63331-00	CHIP RES. 330Ω ±5% 0603 SMT	1
R14/5,21/7	07-63332-00	CHIP RES. 3.3kΩ ±5% 0603 SMT	4
R180,191,RP5	07-63362-01	CHIP RES. 3.6kΩ ±5% 0603 SMT	3
RS25/6	07-63393-00	CHIP RES. 39kΩ ±5% 0603 SMT	2
RV11/3	07-63470-00	CHIP RES. 47Ω ±5% 0603 SMT	2
RT10,RV7,9,10,R9	07-63471-00	CHIP RES. 470Ω ±5% 0603 SMT	5
R1,3,5,10/1/7/8,23/5,21/2,119,298,RU1 ~4,6,13,RT1,2,27~30,RS10	07-63472-00	CHIP RES. 4.7kΩ ±5% 0603 SMT	29
RT1,3,5	07-63473-00	CHIP RES. 47kΩ ±5% 0603 SMT	3
RV16/8	07-63474-00	CHIP RES. 470kΩ ±5% 0603 SMT	2
RT19~22	07-63561-00	CHIP RES. 560Ω ±5% 0603 SMT	4
RA19,20,RT26,R20/4	07-63562-00	CHIP RES. 5.6kΩ ±5% 0603 SMT	5
RV3	07-63621-00	CHIP RES. 620Ω ±5% 0603 SMT	1
RS5,6	07-63682-00	CHIP RES. 6.8kΩ ±5% 0603 SMT	2
R64	07-63750-00	CHIP RES. 75Ω ±5% 0603 SMT	1
RT24,RU5	07-63822-01	CHIP RES. 8.2kΩ ±5% 0603 SMT	2
L12	09-00270-00	CHIP SGM11608M2R7KT	1
FB1,5,LX,LT1,8	07-00601-00	CHIP BGH2012B601LB	5
L10/1	09-03315-00	CHIP SL0805-3R3M1R5	2
LT7	09-70001-00	CHOKE COIL 1MH	1
LT2~6	09-70010-02	CHIP CI160808-IROK 0603	5
L183/5,LP1	09-70101-08	LINE CHOKE 100μH 1A 250VAC	3
L02	09-70220-03	M. INDUCTOR 22UH AX. TYPE (MINI)	1
L01	09-70560-01	MICRO INDUCTOR 5.6UH (AXIAL)	1
	11-01343-017	PCB TV-1343 MB 199X141X1.2MM D/S	1
J1	16-00035-30	Ø3.5MM JACK 4PIN ORANGE	1
SW2	16-10202-71	PUSH SW 2C-2P S/LOCK JPS-2271	1
SW1	16-10202-71N	PUSH SWITCH JPS-2271 (NON LOCK)	1
PC BOARD ASSY, KEY BOARD			
DD5,7~11	02-01112-00F	SMD LED PG1112H GREEN "STANLEY"	6
DD4	02-01112-02K	SMD LED KPT-2012SRW-PRV	1
LAMP1,2	02-12002-00	DOME LAMP 12V 2W (Ø8X28MM)	2
	02-30000-01	LED Ø3MM BLUE	1

ELECTRICAL PARTS LIST - CONTINUED

Ref. No.	Parts No.	Description	Q'ty
CF1,CL2	05-63104-01	CHIP 0.1μF ±10% X7R 0603 SMT	2
RF5	07-63221-00	CHIP RES 220Ω ±5% 0603 SMT	1
R16,RF1~4,6~11	07-63331-00	CHIP RES 3300Ω ±5% 0603 SMT	12
	11-01343-327	DVD1343 KB PCB D/S 130X41X1.2MM	1
	11-01343-427	DVD1343 EAR PCB 47.5X36X1.6MM	1
	11-01343-447	DVD1343 LAMP PCB 149X30X1.6MM	1
	11-01343-517	DVD1343 IR PCB D/S 65X6X0.8MM	1
SPEAKER	14-00040-01	SPK 8ohm Ø=40 THK=5 AV40-12	2
J1,2	16-00035-10	Ø3.5MM JACK 4PIN BLACK	2
SS1~6	16-01140-04A	TACT SW KPS-1107SW TAPPING	6
SW1	16-01343-00	SLIDE SW L=10MM 2P3T SS-23F38-G10-1	1
	18-01321-00	VOL R1001G23CNH A10K X2 BLACK	2
PC BOARD ASSY, CD SERVO BOARD			
Q21/2	01-01289-00	KTA1298 (SOT-23)	2
D21/2,41	02-04148-02	DIO CHIP RLS4148 1206 ROHM	3
Z1	02-50062-54	ZENER DIODE SMD 6.2V (LLDS) 1206	1
Q41	03-01117-01	FIX 3.3V VOLTAGE GREVLATER AMS1117	1
U32	03-01616-00	W9816168BH-7 (TSOP II-50PIN)	1
U21	03-03721-00	SP3721A (PQFP-64PIN)	1
U22	03-04580-00	NJM4580M (SOP-8PIN)	1
U33	03-04743-00	IC BD4743G (SMP5) ROHM	1
U11	03-05705-00	M5705 (PQFP-176PIN)	1
U41	03-05918-00	BA5918FP-Y HSOP-25PIN	1
U42	03-06289-00	IC BA6289F (SOP8)	1
U31	03-39010-00	IC W39F010P-70B (PLCC-32PIN)	1
Y11	04-03386-04	CRYSTAL 33.8688MHZ HC-49USM (SMD)	1
C217	05-63101-00W	CHIP CAP 100PF ±5% NPO 0603 SMT	1
C108,117/8,206,218,221/3	05-63102-00	CHIP CAP 1000PF ±5% NPO 0603 SMT	7
C1,3,4,13,24,49,75,104/6/7,110/5/6/9,201~5,210/9,225/6/8/9,232,402~5/7	05-63104-01	CHIP 0.1μF ±10% X7R 0603 SMT	49
C120/1	05-63120-00	CHIP 12PF ±5% NPO 0603 SMT	2
C220	05-63151-00	CHIP 150PF ±5% NPO 0603 SMT	1
C308	05-63224-01	CHIP 0.22μF ±10% X7R 0603 SMT	1
C208/9,211,227	05-63330-00	CHIP 33PF ±5% NPO 0603 SMT	4
C105	05-63470-00	CHIP 47PF ±5% NPO 0603 SMT	1
C113/4	05-63471-00	CHIP 470PF ±5% NPO 0603 SMT	2
C222,401	05-63472-01	CHIP 4700PF ±10% X7R 0603 SMT	2
C102,112,214	05-63473-01	CHIP 0.047μF ±10% X7R 0603 SMT	3
C111,231,309,BC31	05-63474-00	CHIP CAP 0.47μF Y5V ±80%	4
C103	05-63561-00	CHIP 560PF ±5% NPO 0603 SMT	1

ELECTRICAL PARTS LIST - CONTINUED

Ref. No.	Parts No.	Description	Q'ty
C207,212/3/5/6	05-63681-00	CHIP 680PF $\pm 5\%$ NPO 0603 SMT	5
C109	05-63682-01	CHIP 6800PF $\pm 10\%$ X7R 0603 SMT	1
C2	06-16107-55	TAN CAP 100 μ /6.3V SMD (7.3X4.3X2.8MM)	1
TC1,22~5,41/3/5/6	06-63106-55	TAN CAP 10 μ /6.3V SMD (3.2X1.6X2.0MM)	9
TC8,14,21,42/4	06-63107-55	TAN CAP 100 μ /6.3V SMD (3.5X2.8X2.0MM)	5
R131/2,401/2	07-63000-00	CHIP RES. 0 Ω 0603 SMT	4
R414	07-63033-01	CHIP RES. 3.3 Ω $\pm 1\%$ 0603 SMT	1
R120,207	07-63100-00	CHIP RES. 10 Ω $\pm 5\%$ 0603 SMT	2
R212/3	07-63101-00	CHIP RES. 100 Ω $\pm 5\%$ 0603 SMT	2
RN11,32~5,301~4	07-63101-04	CHIP CN34JT 100 Ω (0603X4 SMT)	9
R1,317	07-63102-00	CHIP RES. 1k Ω $\pm 5\%$ 0603 SMT	2
R104,112/8,209,210/7,305,315,404	07-63103-00	CHIP RES. 10k Ω $\pm 5\%$ 0603 SMT	9
RN31/6~9	07-63103-04	CHIP CN34JT 10k Ω (0603X4 SMT)	5
R102,119,215	07-63104-00	CHIP RES. 100k Ω $\pm 5\%$ 0603 SMT	3
R101	07-63122-00	CHIP RES. 1.2k Ω $\pm 5\%$ 0603 SMT	1
R406	07-63123-00	CHIP RES. 12k Ω $\pm 5\%$ 0603 SMT	1
R214	07-63152-00	CHIP RES. 1.5k Ω $\pm 5\%$ 0603 SMT	1
R208	07-63153-00	CHIP RES. 15k Ω $\pm 5\%$ 0603 SMT	1
R107	07-63203-00	CHIP RES. 20k Ω $\pm 5\%$ 0603 SMT	1
R409	07-63223-00	CHIP RES. 22k Ω $\pm 5\%$ 0603 SMT	1
R216/8,225/6	07-63242-00	CHIP RES. 2.4k Ω $\pm 5\%$ 0603 SMT	4
R222	07-63271-00	CHIP RES. 270 Ω $\pm 5\%$ 0603 SMT	1
R114,201/4~6,308,407	07-63330-00	CHIP RES. 33 Ω $\pm 5\%$ 0603 SMT	7
R109~111/5,405	07-63332-00	CHIP RES. 3.3k Ω $\pm 5\%$ 0603 SMT	5
R403/8	07-63333-00	CHIP RES. 33k Ω $\pm 5\%$ 0603 SMT	2
R2~4,106,116,318	07-63472-00	CHIP RES. 4.7k Ω $\pm 5\%$ 0603 SMT	6
R51,113	07-63473-00	CHIP RES. 47k Ω $\pm 5\%$ 0603 SMT	2
R221	07-63474-00	CHIP RES. 470k Ω $\pm 5\%$ 0603 SMT	1
R105,117,202	07-63512-00	CHIP RES. 5.1k Ω	3
R108	07-63513-00	CHIP RES. 51k Ω $\pm 5\%$ 0603 SMT	1
R103	07-63563-00	CHIP RES. 56k Ω $\pm 5\%$ 0603 SMT	1
R203,220	07-63822-01	CHIP RES. 8.2k Ω $\pm 1\%$ 0603 SMT	2
L1,3~5,21/2	11-01343-227	PCB DVD1343 SB D/S 131X90X0.8MM	8
PC BOARD ASSY, REMOTE BOARD			
Q1	01-01781-18	TR. 2SD1781K-R "ROHM"	1
	02-00120-00	IR EMITIER DIODE MIE-544A4	1
D4	02-04148-02	DIO CHIP RLS4148 1206 ROHM	1
IC1	03-02222-00	IC PT2222-001 SOP ANGUS	1
C1,2	05-63121-00	CHIP 120PF $\pm 5\%$ NPO 0603 SMT	2
C3	06-06476-02	E. CAP 4.7 μ F 6.3V (\varnothing 5X5MM)	1
R1	07-05010-54	CHIP RES 1 Ω 1/10W	1

ELECTRICAL PARTS LIST - CONTINUED

Ref. No.	Parts No.	Description	Q'ty
XT1	09-50455-05J	CER RESONATOR ZTB455E	1
	12-00172-817	PCB RC-12 REM D/S 164X47X1.0MM	1
PC BOARD ASSY, DISPLAY BOARD			
Q6	01-00197-00	TR. SMD 2SJ197	1
Q2,4	01-00812-00	TR. 2SA812	2
Q1,3	01-01623-00	CHIP TR. C1623 "NEC"	2
Q5	01-02103-00	TR CHIP 2SK2103 ROHM	1
Q201/2	01-04672-00	TR. SMD 2SC4672Q	2
D2,4,5,9,11	02-04148-02	DIO CHIP RLS4148 1206 ROHM	5
D1,3,6	02-05040-00	DIO CHIP RB050L-40 SOD106 ROHM	3
ZD1	02-50056-00	ZENER DIODE 5.6V 0.5W	1
IC204	03-00331-00	IC CHIP IR3Y31M SHARP	1
IC1,2	03-00494-01	IC TL494C (SOP-16)	2
IC202	03-04053-04	IC 74H4053D SMD	1
Y202	04-03579-00	CRYSTAL 3.579MHZ (SMD)	1
Y201	04-04433-00	CRYSTAL 4.433MHZ SMD	1
C203	05-00560-302	CER CAP 56P 3KV ±10%	1
C7,13/5/9	05-03225-10	CHIP CAP 2.2µF/25V SMD 1206	4
C202	05-04104-00	METALLIZED CAP 0.1µF 63V	1
C203	05-30560-10	CHIP CAP 56PF 3KV ±5% 4.5X2MM	1
C286	05-63101-01	CHIP 100PF/50V X7R ±10% 0603 SMT	1
C6,32	05-63102-01	CHIP 1000PF ±10% X7R 0603 SMT	2
C9,256/8,267	05-63103-01	CHIP 0.01µF ±10% X7R 0603 SMT	4
C8,16,21/2/6/8,34,60,271/2,263~6,280/ 1,249~51/7,235,106~10	05-63104-01	CHIP 0.1µF ±10% X7R 0603 SMT	26
C27,33,244,253,260/1/2,273~5/7/9	05-63105-01	CHIP CAP 105PF/25V Y5V ±20% 0603 SMT	12
C254	05-63224-03	CHIP 224PF/50V Y5V ±10% 0603 SMT	1
C4	05-6333-01	CHIP 3300PF ±10% X7R 0603 SMT	1
C3,31,252	05-63473-01	CHIP 0.047µF ±10% X7R 0603 SMT	3
C259	05-63474-03	CHIP 474PF/25V Y5V ±10% 0603 SMT	1
C287	05-63560-00	CHIP CAP 56PF ±5% NPO 0603 SMT	1
C248	05-63681-00	CHIP 680PF ±5% NPO 0603 SMT	1
C276	05-63682-01	CHIP 6800PF ±10% X7R 0603 SMT	1
C2,14/7,20/3,45,268/9,289	06-16107-54	E. CAP CHIP 100µF/16V Ø6.3X5.5	9
C11,25,246	06-16226-54	E. CAP CHIP 22µF/16V Ø5X5.5	3
C100	06-16227-05	E. CAP CHIP 220µF/16V 105°C	1
C10/2	06-35476-54	E. CAP CHIP 47µF/35V Ø6.3X5.5	2
R27	07-05131-54	CHIP RES 130Ω 1/10W 0805	1
R26	07-05432-54	CHIP RES 4.3kΩ 1/10W 0805	1
R35~7,43,100,321	07-63000-00	CHIP RES 0Ω 0603 SMT	6
R31~3	07-63010-00	CHIP RES 1Ω ±5% 0603 SMT	3

ELECTRICAL PARTS LIST - CONTINUED

Ref. No.	Parts No.	Description	Q'ty
R6,L1~3	07-63100-00	CHIP RES 10Ω ±5% 0603 SMT	4
R34,317,402	07-63101-00	CHIP RES 100Ω ±5% 0603 SMT	3
R7,8,291/3,302	07-63102-00	CHIP RES 1kΩ ±5% 0603 SMT	5
R298/9	07-63103-00	CHIP RES 10kΩ ±5% 0603 SMT	2
R22	07-63104-00	CHIP RES 100kΩ ±5% 0603 SMT	1
R282,310	07-63105-00	CHIP RES 1MΩ ±5% 0603 SMT	2
R273	07-63106-00	CHIP RES 10MΩ ±5% 0603 SMT	1
R297	07-63123-00	CHIP RES 12kΩ ±5% 0603 SMT	1
R9	07-63152-00	CHIP RES 1.5kΩ ±5% 0603 SMT	1
R10,283,295	07-63153-00	CHIP RES 15kΩ ±5% 0603 SMT	3
R309	07-63183-00	CHIP RES 18kΩ ±5% 0603 SMT	1
R20/4	07-63203-00	CHIP RES 20kΩ ±5% 0603 SMT	2
R19,30	07-63220-00	HIP RES 22Ω ±5% 0603 SMT	2
14,29,289,D8	07-63221-00	CHIP RES 220Ω ±5% 0603 SMT	4
R15,21/8,301/8	07-63222-00	CHIP RES 2.2kΩ ±5% 0603 SMT	5
R1,2,17	07-63223-00	CHIP RES 22kΩ ±5% 0603 SMT	3
R201,268	07-63271-00	CHIP RES 270Ω ±5% 0603 SMT	2
R312	07-63332-00	CHIP RES 3.3kΩ ±5% 0603 SMT	1
R16,294/6,313	07-63333-00	CHIP RES 33kΩ ±5% 0603 SMT	4
R311	07-63334-00	CHIP RES 330kΩ	1
R290/2	07-63392-00	CHIP RES 3.9kΩ ±5% 0603 SMT	2
R279	07-63393-00	CHIP RES 39kΩ ±5% 0603 SMT	1
R45	07-63471-00	CHIP RES 470Ω ±5% 0603 SMT	1
R5,11/3/8	07-63472-00	CHIP RES 4.7kΩ ±5% 0603 SMT	4
R278	07-63473-00	CHIP RES 47kΩ ±5% 0603 SMT	1
R25,300	07-63512-00	CHIP RES 5.1kΩ	2
R277	07-63513-00	CHIP RES 51kΩ ±5% 0603 SMT	1
R272,285~7	07-63562-00	CHIP RES 5.6kΩ ±5% 0603 SMT	4
R386	07-63684-00	CHIP RES 680kΩ ±5% 0603 SMT	1
R271	07-63750-00	CHIP RES 75Ω ±5% 0603 SMT	1
R280	07-63752-00	CHIP RES 7.5kΩ ±5% 0603 SMT	1
R288,307	07-63822-00	CHIP RES 8.2kΩ ±5% 0603 SMT	2
L205/6	09-00220-54	INDUCTOR 22μH SMD 1210	2
L5,6,8,203	09-00470-54	INDUCTOR 47μH SMD 1210	4
LF1,4,7	09-70151-54	CHOKE COIL 150μH SMD Ø7.8X5	3
LF2	09-70275-54	CHOKE COIL 275μH SMD Ø7.8X3.5	1
	11-00701-928	PCB 7.0" TFT DRIVER PVI 143X80.5X1.2	1
T201	15-00700-00	TRANS PVI 7" DRIVER XDN-182A-EFD15	1
T101	15-00900-01	TRANS FOR PVI TFT DRIVER (MINI)	1
VR209,211/2	17-00103-00	SEMI-FIXED VR10KB SMD EVM3Y	3
VR1	17-00222-00	SEMI-FIXED VR10KB SMD EVM3Y	1

ELECTRICAL PARTS LIST - CONTINUED

Ref. No.	Parts No.	Description	Q'ty
PC BOARD ASSY, AM/FM BOARD			
QP8	01-00106-10	KRC106S (SOT-23)	1
QA9	01-01386-00	TR. 2SB1386 SMD ROHM	1
QA8,Q5,7	01-03265-00	KTC2365-Y (SOT-23)	3
Q8,9	01-03904-00	TR CHIP SST3904 ROHM	2
QA16/7	01-08050-03	TR. 8050C TO-92-B	2
D14~9	02-00056-02	INFRAD RED LED SIR56SB3F	6
Z1	02-50001-03	CHIP ZENER DIODE 5.1V (LL-34)	1
D21	02-50091-01	CHIP ZENER DIODE 9.1V 0.5W LL-34	1
U7,10	03-04046-01	IC HEF4046B (S016) PHILIPS	2
C31	05-02152-10	MYLAR CAP 0.0015 μ F \pm 10%	1
C24	05-02222-10	MYLAR CAP 0.0022 μ F \pm 10%	1
C20,32	05-63102-00	CHIP 1000PF \pm 5% NPO 0603 SMT	2
C21/9	05-63103-01	CHIP 0.01 μ F \pm 10% X7R 0603 SMT	2
C18,30/4/5	05-63102-02	CHIP 0.1 μ F \pm 20% Y5V 0603 SMT	4
C13,27/8	05-63331-00	CHIP 330PF \pm 5% NPO 0603 SMT	3
C15,26	05-63332-01	CHIP 3300PF \pm 10% X7R 0603 SMT	2
C17	05-63561-00	CHIP 560PF \pm 5% NPO 0603 SMT	1
CA14/5,33/6/9	06-16106-02	E. CAP 10 μ F 16V (\varnothing 3.5X5MM)	5
CA38,40	06-16107-04	E. CAP 100 μ F 16V (\varnothing 6X5MM)	2
CA35,41	06-16476-03	E. CAP 47 μ F 16V (6X5)	2
RA64/5	07-05033-54	CHIP RES 3.3 Ω SMD 0805	2
RA68,74~6	07-05221-51	CHIP RES 220 Ω 1/8W	4
RA,12/5,70	07-63101-00	CHIP RES 100 Ω \pm 5% 0603 SMT	3
RA33,45/6/9,69,77	07-63102-00	CHIP RES 1k Ω \pm 5% 0603 SMT	2
RA11,34,47	07-63103-00	CHIP RES 10k Ω \pm 5% 0603 SMT	2
RA61/3	07-63104-00	CHIP RES 100k Ω \pm 5% 0603 SMT	2
RA53/8	07-63105-00	CHIP RES 1M Ω \pm 5% 0603 SMT	2
RA35,43	07-63182-00	CHIP RES 1.8k Ω \pm 5% 0603 SMT	2
RA37,50	07-63221-00	CHIP RES 220 Ω \pm 5% 0603 SMT	2
RA51/2	07-63273-00	CHIP RES 27k Ω \pm 5% 0603 SMT	2
RA34,48	07-63333-00	CHIP RES 33k Ω \pm 5% 0603 SMT	2
RA71	07-63471-00	CHIP RES 470 Ω \pm 5% 0603 SMT	1
A38,56	07-63512-00	CHIP RES 5.1k Ω	2
RA44,60/6/7	07-63562-00	CHIP RES 5.6k Ω \pm 5% 0603 SMT	2
	11-01343-517	DVD1343 IR PCB D/S 65X6X0.8MM	1
	14-01342-00	INFRA-RED HEAD PHONE (HW-168)	1
	17-00222-00	SEMI-FIXED VR2.2KB SMD EVM3Y	2

SPECIFICATIONS

Current Consumption	Less than 2.0A
Signal System	Competitive video 1.0Vp-p 75Ω RCA pin jack
Audio Output Level	600Ω (2CH 2.0Vrms)
Audio signal output	
Characteristics:	
Frequency response	20 Hz - 20 kHz
S/N Ratio	80 dB (JIS)
Wow and flutter	Below Measurable Limits

Note:

Specifications and design are subject to modification, without notice, due to improvements in technology.